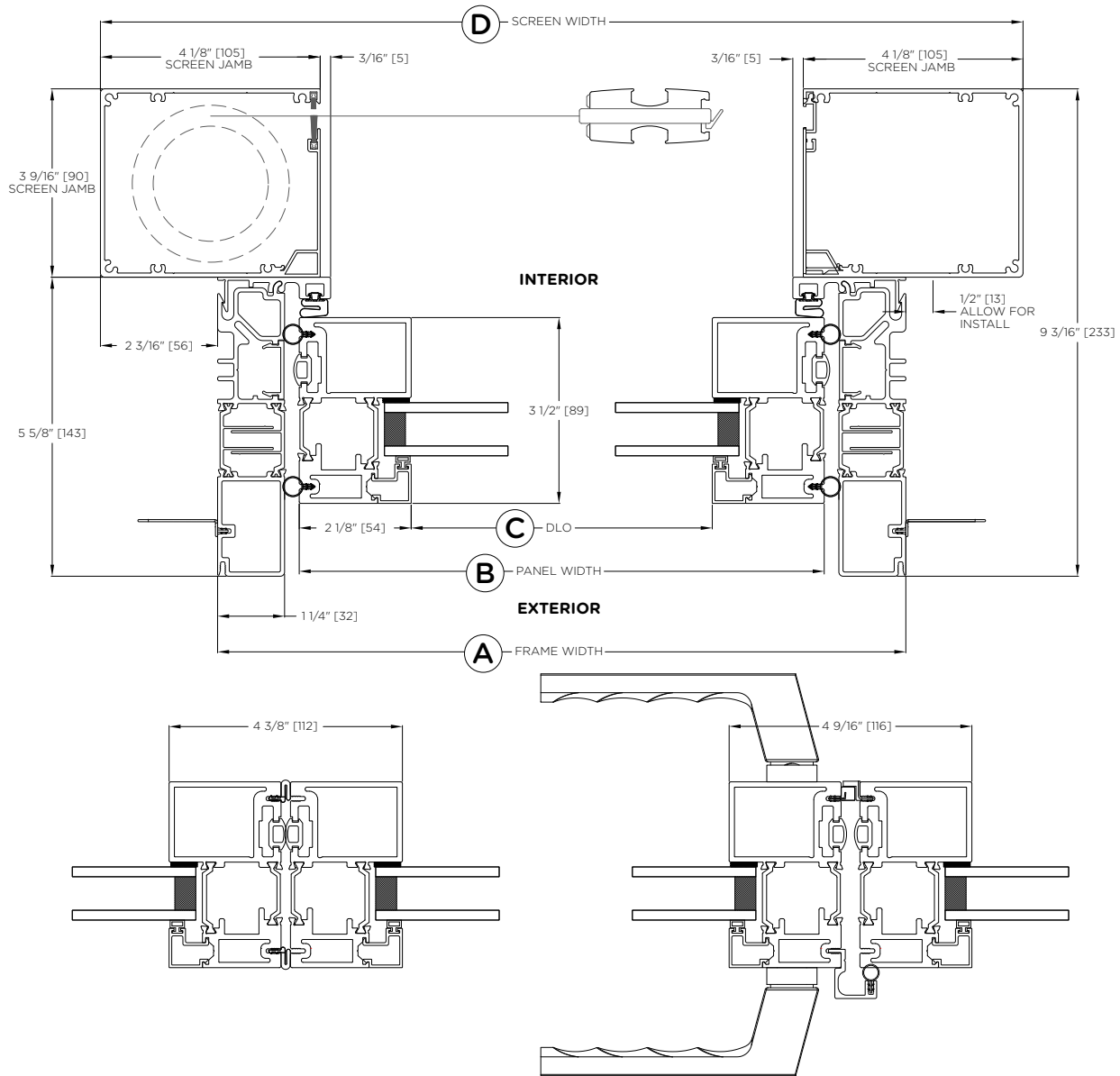


OUTSWING - NON-PLEATED SCREEN



| | | | | | |
|----------------|-----------|---|--|---|--|
| System Letter: | Order #: | A | | D | |
| | Location: | B | | | |
| | Date: | C | | | |