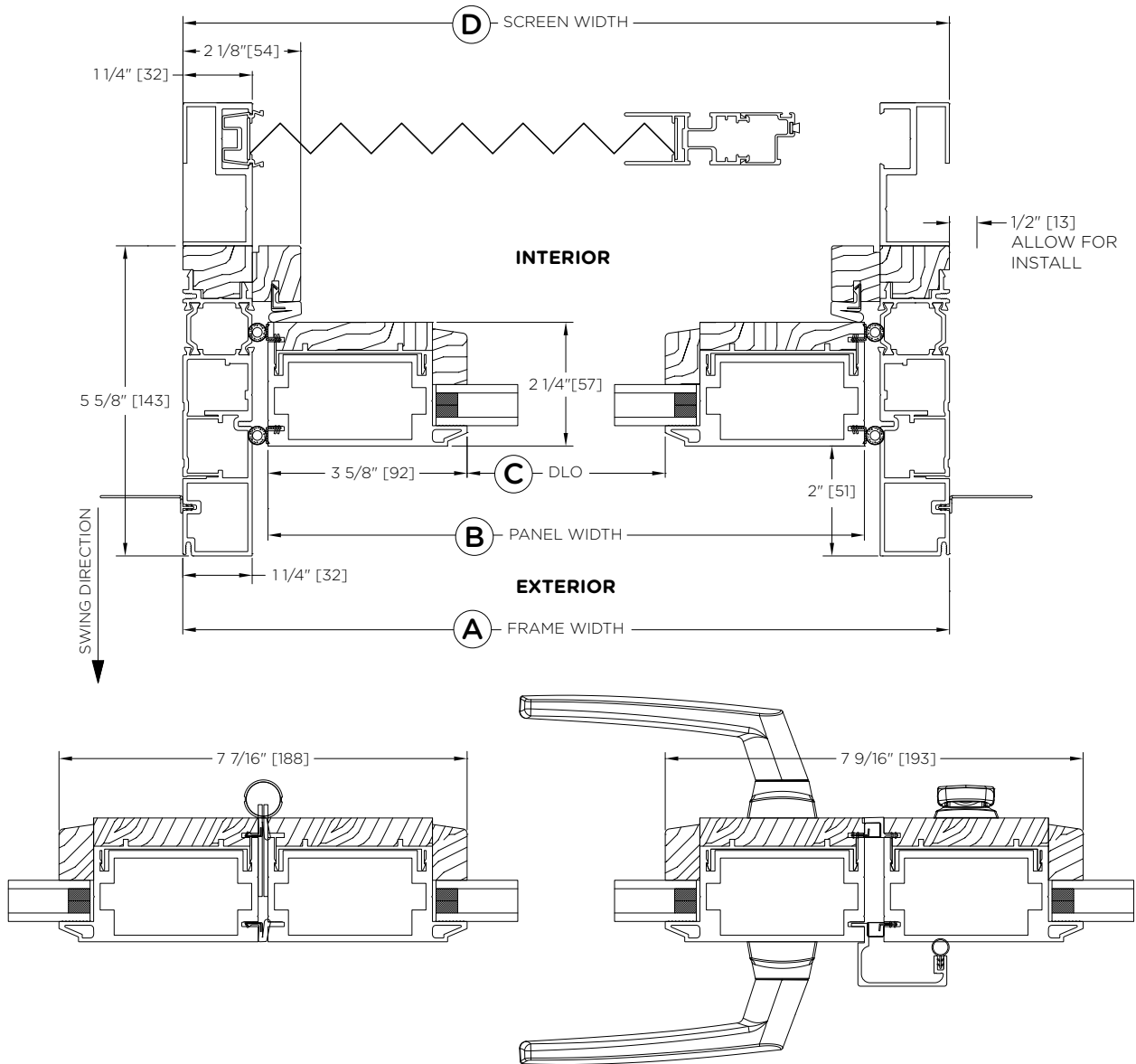


ALUMINUM WOOD - OUTSWING - PLEATED



System Letter:	Order #:	A	D
	Location:	B	
	Date:	C	