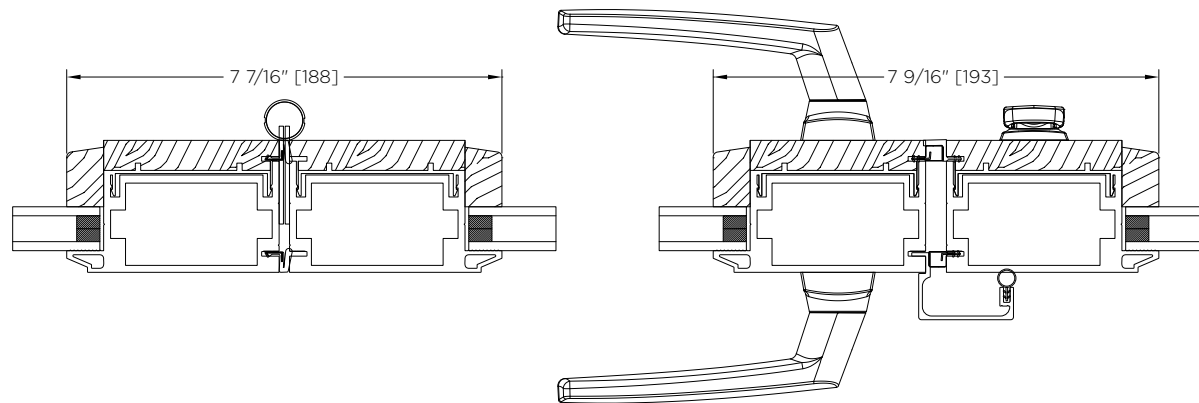
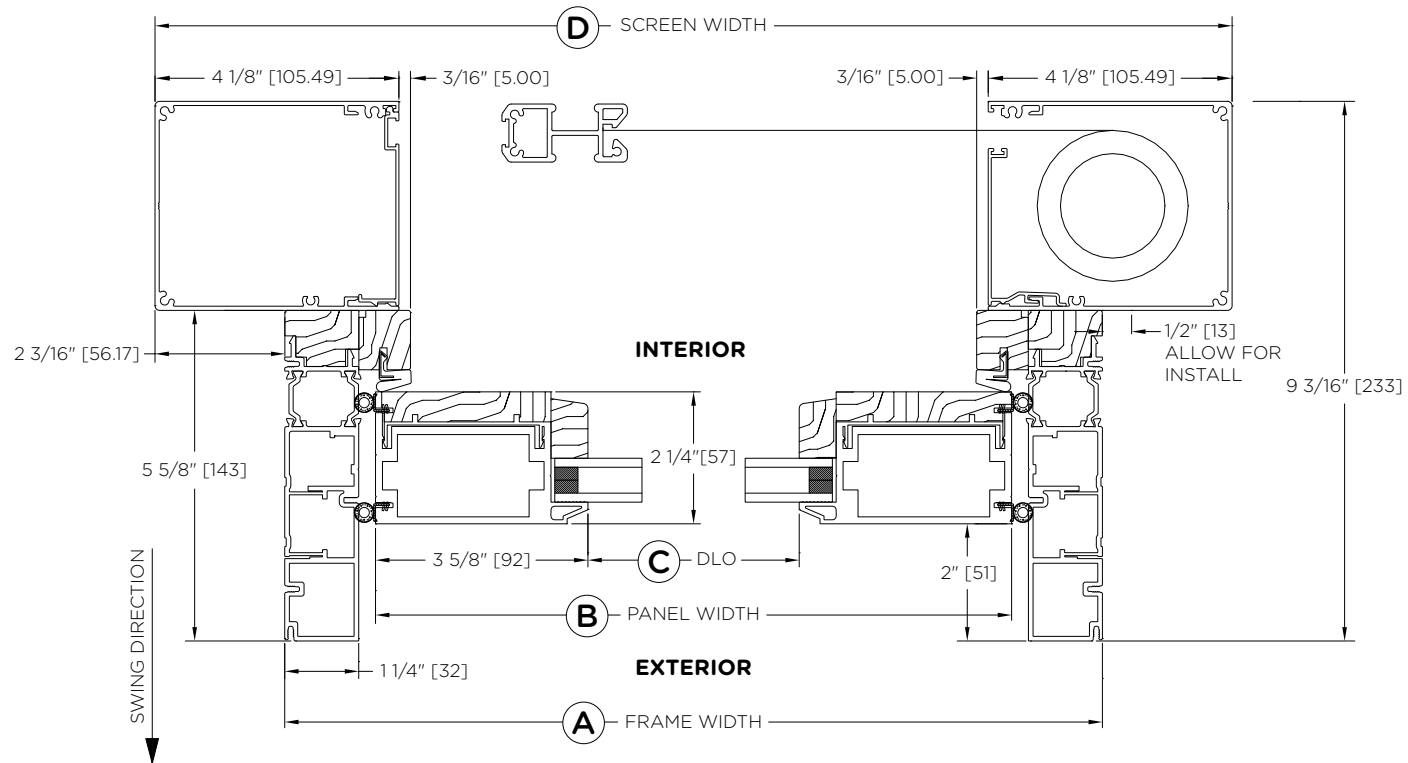


ALUMINUM WOOD - OUTSWING - NON PLEATED



System Letter:	Order #:	A		D	
	Location:	B			
	Date:	C			