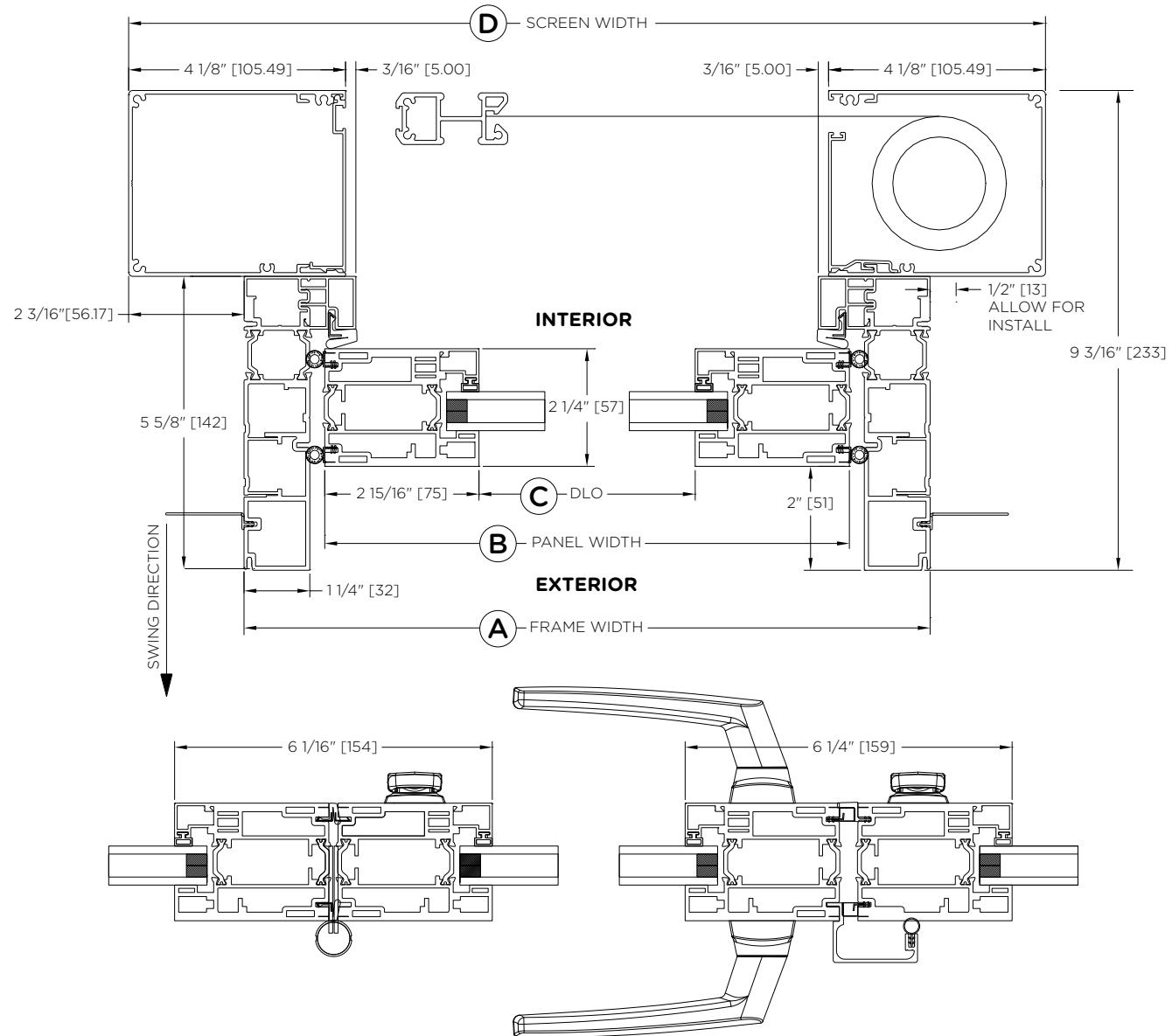


ALUMINUM THERMALLY CONTROLLED - OUTSWING - NON PLEATED



System Letter:	Order #:	A		D
	Location:	B		
	Date:	C		