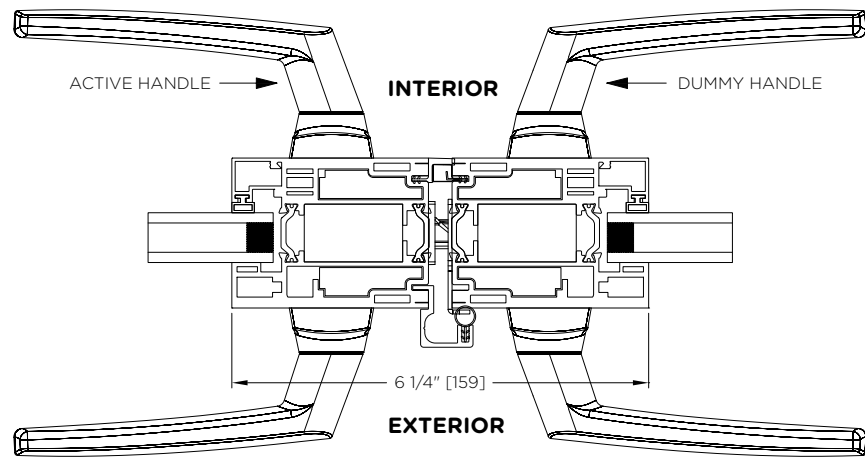
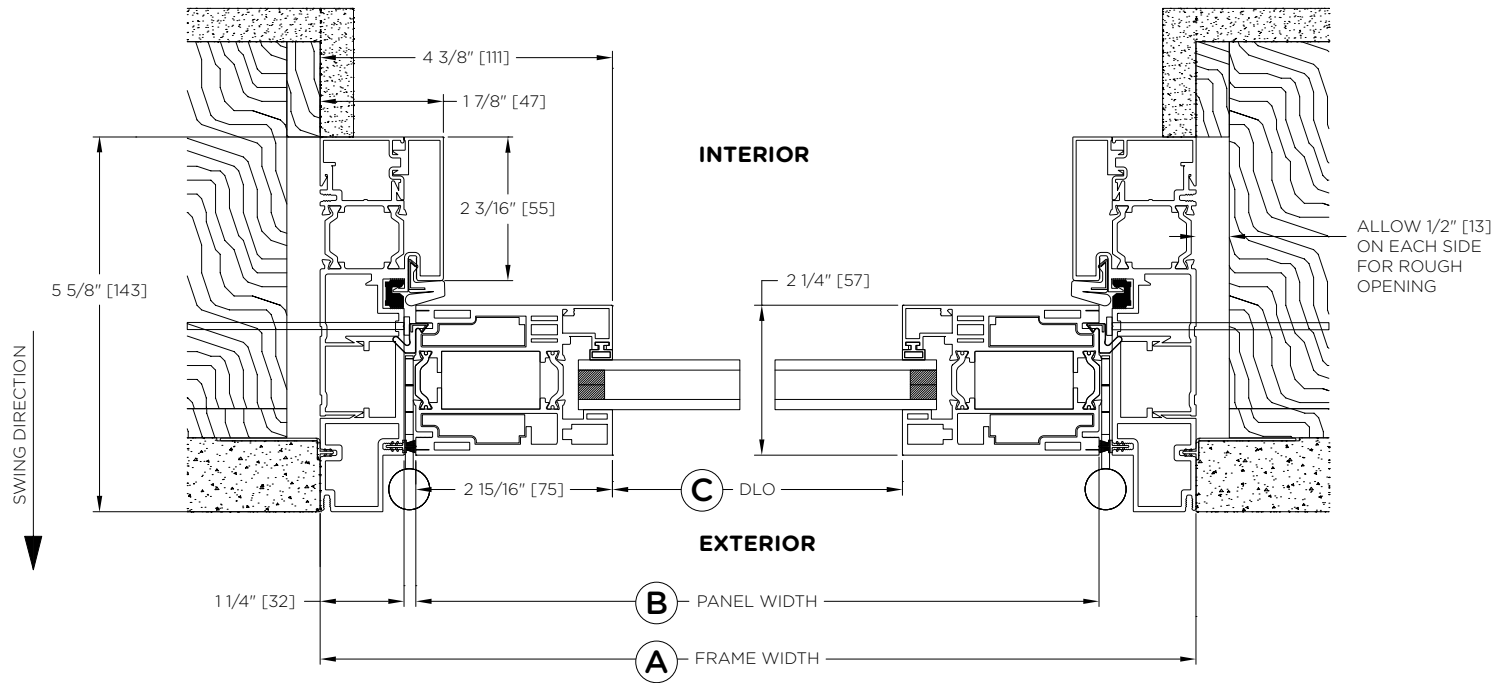


ALUMINUM THERMALLY CONTROLLED - OUTSWING



System Letter:	Order #:	A	
	Location:	B	
	Date:	C	