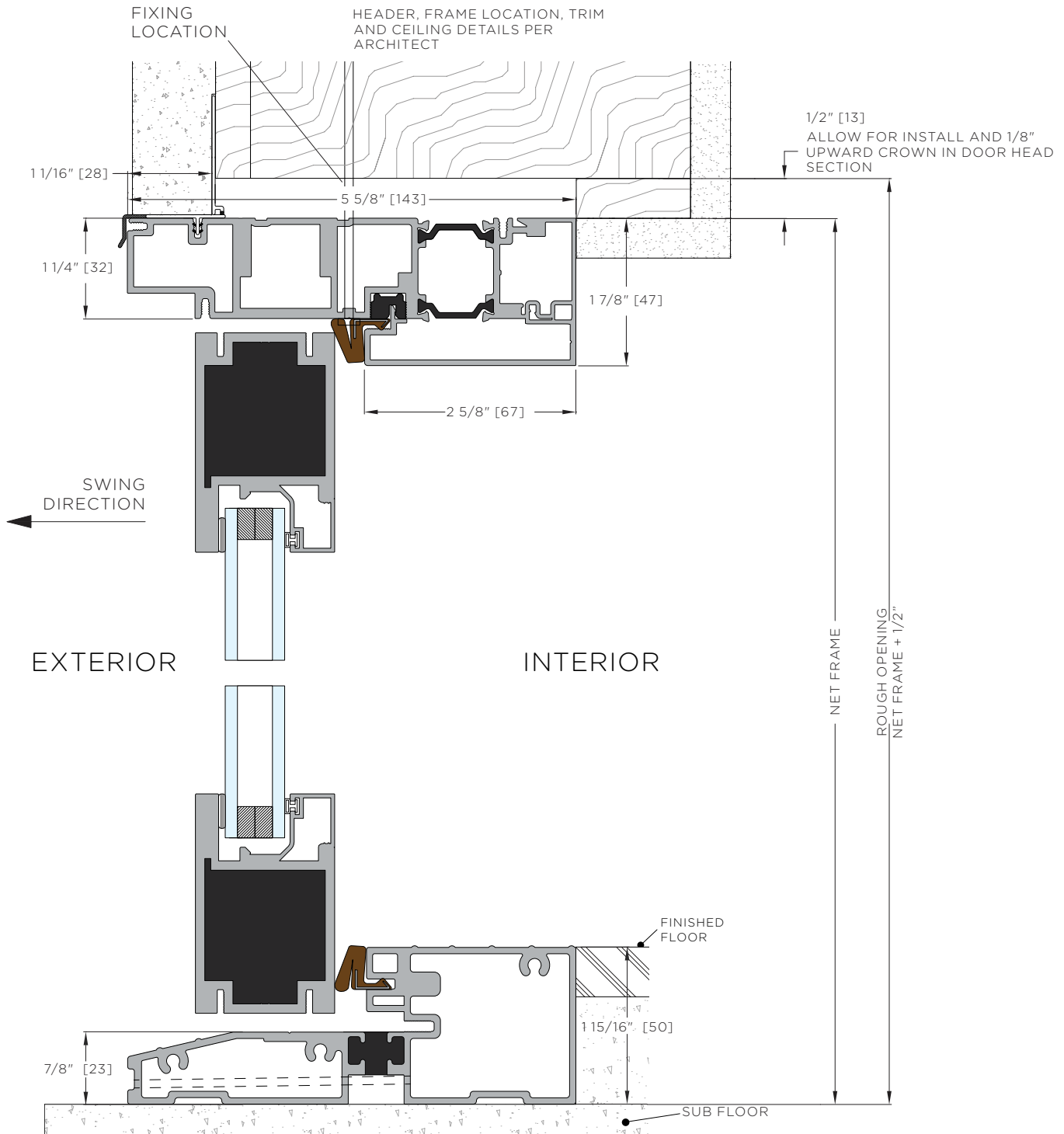


ALUMINUM SWING DOOR (OUTSWING)

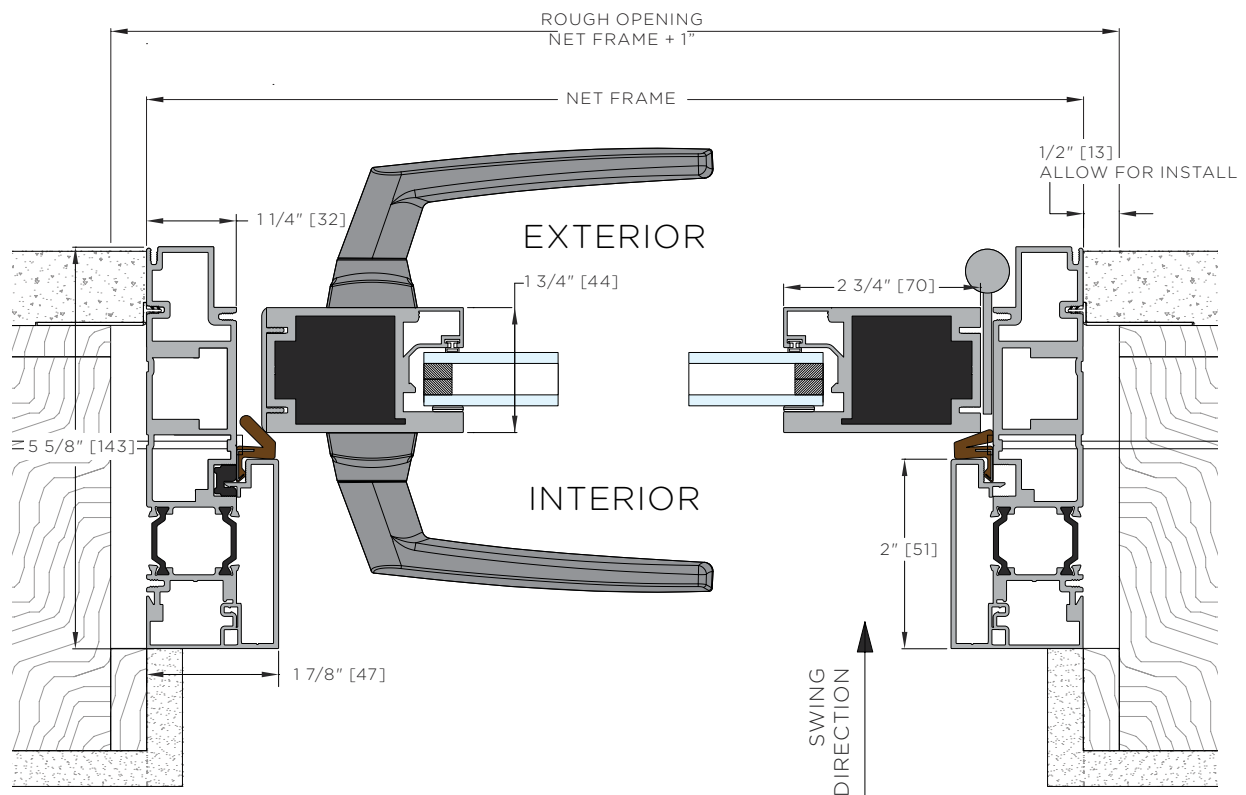
When recessed, the **Outswing Weather Resistant Sill** is our standard sill option and provides effective weather sealing for exterior. The sill is installed on top of the sub floor and then the finished floor is built up on the interior. It's important that the exterior surface level is lower than the sill to enable water drainage.



ALUMINUM SWING DOOR (OUTSWING)

LaCantina Doors outswing frame depth is 5 5/8" and is suitable for common 2 x 4 framing with stucco and drywall. The frame depth can be extended with jamb extensions on the interior for thicker wall conditions or desired trim detail. The location of the **LaCantina Doors** frame in the wall condition will depend on the trim detail desired.

SINGLE DOOR



DOUBLE DOOR ASTRAGAL

