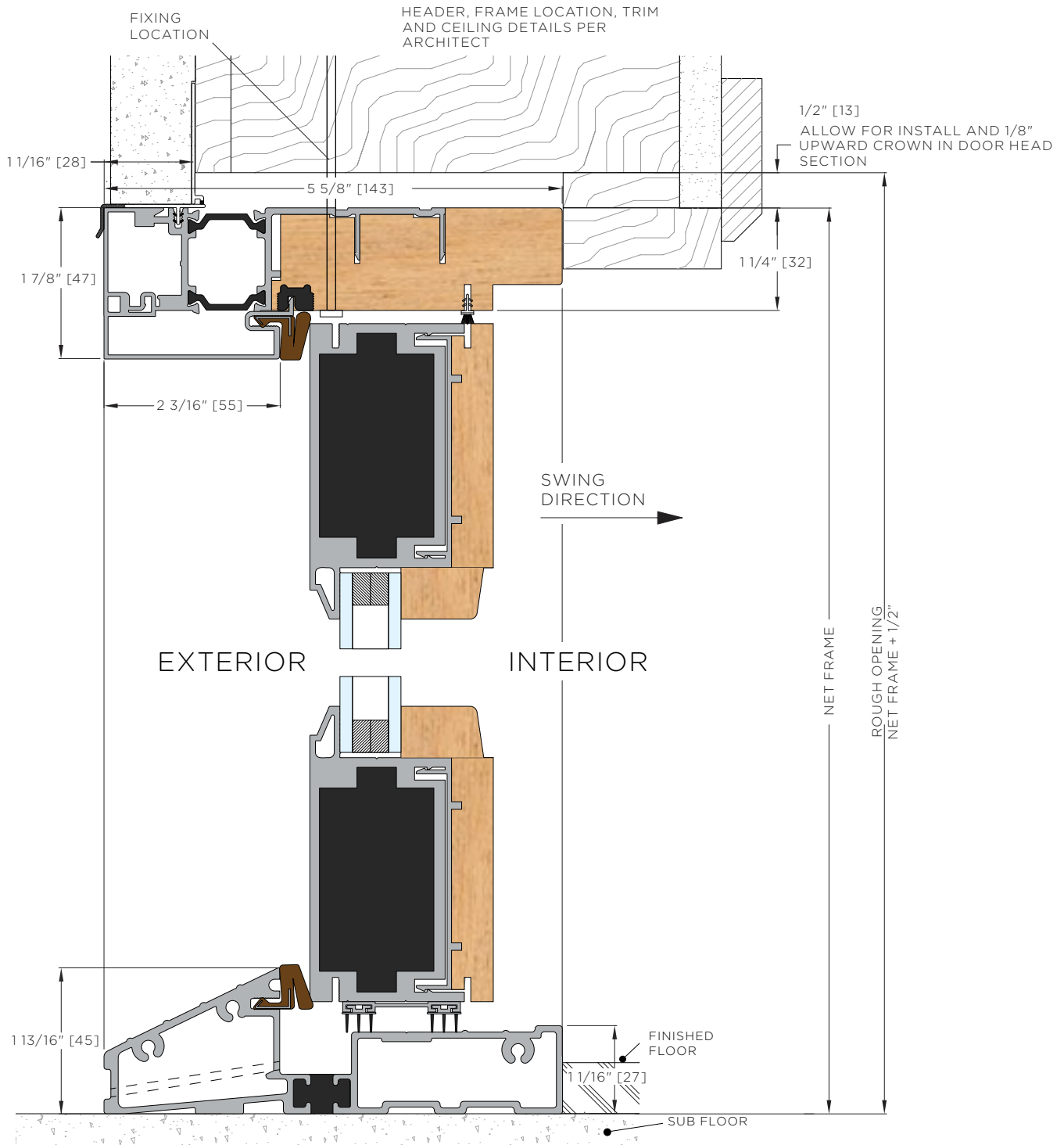


ALUMINUM WOOD SWING DOOR (IN SWING)

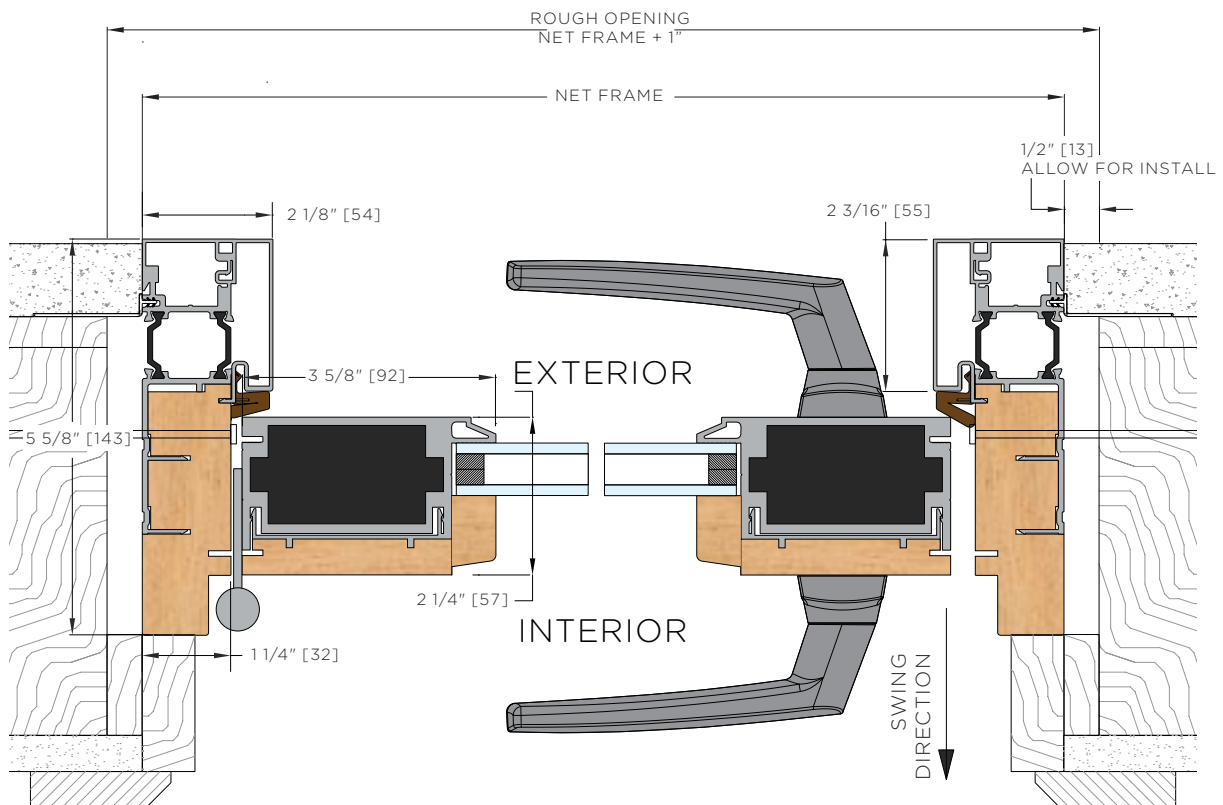
The **Inswing Weather Resistant Sill** provides effective weather sealing for exterior applications. It's important that the exterior surface level is lower than the sill to enable water drainage.



ALUMINUM WOOD SWING DOOR (IN SWING)

LaCantina Doors inswing frame depth is 5 5/8" and is suitable for common 2 x 4 framing with stucco and drywall. The frame depth can be extended with jamb extensions on the interior for thicker wall conditions or desired trim detail. The location of the **LaCantina Doors** frame in the wall condition will depend on the trim detail desired.

SINGLE DOOR



DOUBLE DOOR ASTRAGAL

